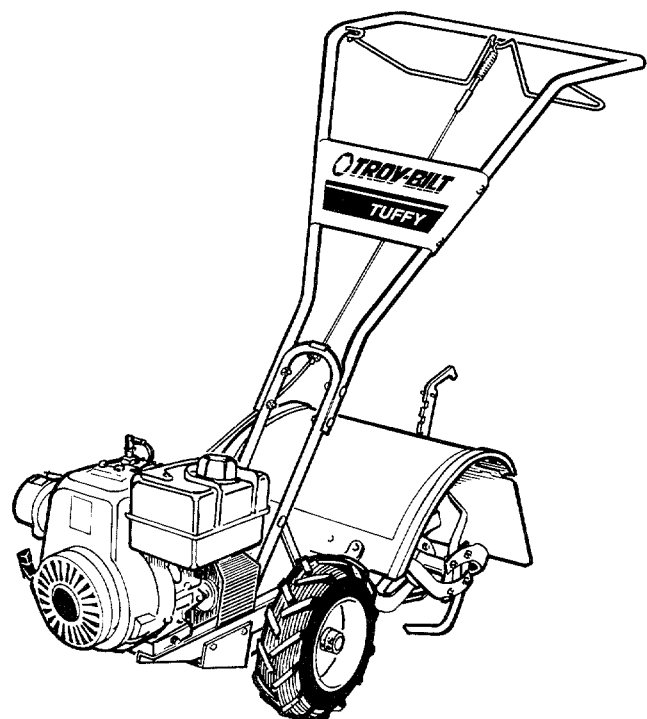




# Parts Catalog

---

## TUFFY® Tiller



---

## TABLE OF CONTENTS

<b>TILLER ASSEMBLIES BY GROUPS</b> .....	pages 2 through 18
How to Find Your Tiller's Serial Number .....	inside front cover
How To Use This Catalog .....	page 1
<b>HANDLEBARS, FORWARD CLUTCH BAIL, AND HANDLEBAR MOUNTING HARDWARE</b> .....	page 2
<b>TINE HOOD, DEPTH REGULATOR, AND DRAG BAR</b> .....	page 4
<b>ENGINE, ENGINE BRACKETS, AND FORWARD CLUTCH MECHANISM</b> .....	page 6
<b>TINES AND WHEELS</b> .....	page 8
<b>TRANSMISSION ASSEMBLIES</b> .....	pages 10 through 17
Transmission Housing, Covers, Seals, Gaskets, and Plug .....	page 10
Drive Shaft Assembly .....	page 12
Wheel Shaft and Tiller Shaft Assemblies .....	page 14
<b>ACCESSORIES</b> .....	page 16

---

### HOW TO FIND YOUR TILLER'S SERIAL NUMBER

If you should ever need replacement parts for your Tuffy® tiller, we will need to know its serial number. Please refer to the photo to the right to see where the serial number is located.

If you call us for parts, please have the serial number close by. If you write to us, please include the serial number in your letter.

For future reference, please record your tiller's serial number and date of delivery in the spaces provided below.

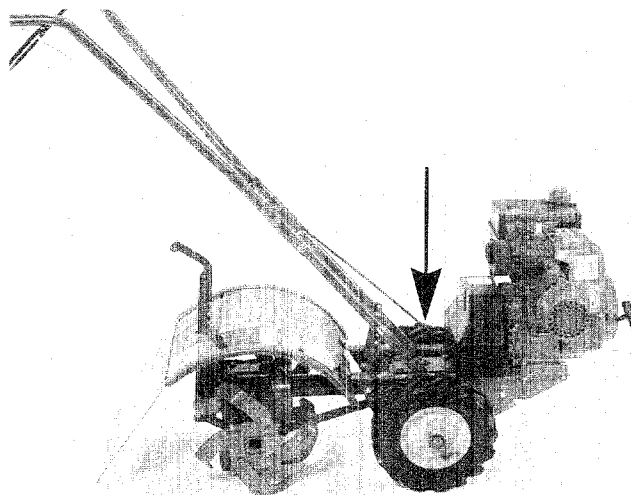
TUFFY® Model \_\_\_\_\_

Its serial number is: \_\_\_\_\_

The date of delivery was: \_\_\_\_\_

---

If you should need assistance in determining which parts you need, please feel free to call us. Our phone numbers are listed on Page 1 and on the back cover of this Catalog.



*Location of the Serial Number  
on the TUFFY® Tiller.*

## HELPFUL INFORMATION FOR USERS OF THIS PARTS CATALOG

This Parts Catalog covers only the TUFFY™ Model TROY-BILT® Roto Tiller-Power Composter which is built by TROY-BILT Manufacturing Company here in Troy, New York.

If you should ever need any replacement parts or accessories for your tiller, you can order them from us either by telephone or by a letter. Our addresses and Toll-Free phone numbers are listed below and on the back cover of this Catalog for your convenience.

Be assured that we will pay careful attention to every parts order we receive from you. This Parts Catalog is a part of our policy of "Trying to be of genuine service to our customers". We are sure that it will be of help to you.

If you have any questions about which part you might need, please call us. One of our friendly, helpful tiller experts will gladly assist you with the problem.

---

## HOW TO USE THIS CATALOG

To find the part you need, first refer to the Table of Contents on the inside front cover. Locate the tiller assembly into which the part you need would fit. Turn to that page in this Catalog. Look at the illustration and find the part. Note the index number of that part and then find the listing for that part number in the parts list on the opposite page.

**When you order a part, use the PART NUMBER in the second column of the parts list.**

The third column of the parts list generally uses a single word to describe the part and then gives additional information about the part.

The fourth column of the parts list tells you how many of that particular part is used in the assembly.

Please remember that many of the common hardware items used on your tiller can be purchased locally at a hardware store as well as being available from Garden Way.

---

## PLEASE NOTE

Some replacement parts that you receive may vary slightly in shape, color, or texture from the original parts. This is because certain parts are supplied to us by more than one manufacturer.

Please be assured, however, that all parts must conform to our rigid quality specifications, and any slight variations will not affect the fit or performance of these parts on your tiller.

## IMPORTANT! EXPLANATION OF "RIGHT-HAND" & "LEFT-HAND"

Left and right sides of your tiller are determined by standing in the operating position, behind the tiller, and facing the direction of forward travel.

---

**TROY-BILT MANUFACTURING COMPANY**  
102nd Street and 9th Avenue, Troy, N.Y. 12180

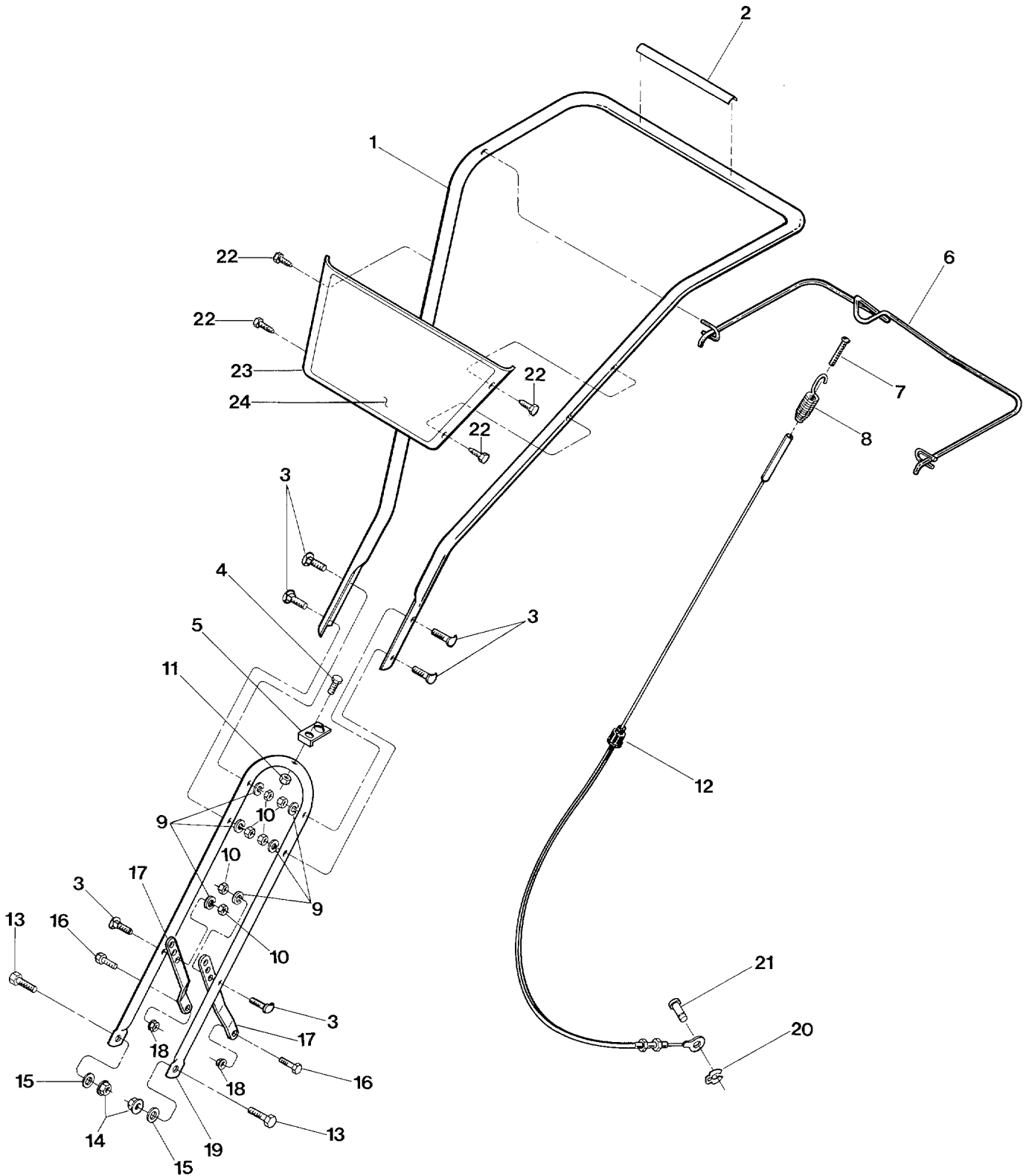
From all states call Toll-Free:  
1-800-833-6990 — Technical Service  
1-800-648-6776 — Parts Sales  
Monday through Friday 8 A.M. to 7 P.M.  
Sat. 9 A.M. to 4 P.M.

---

**GARDEN WAY BRANCH CANADA**  
1515 Matheson Blvd. E., Unit B11  
Mississauga, Ontario L4W 2P5  
Call Toll-Free: 1-800-225-3585  
Monday through Friday from 8 A.M. to 5 P.M.

---

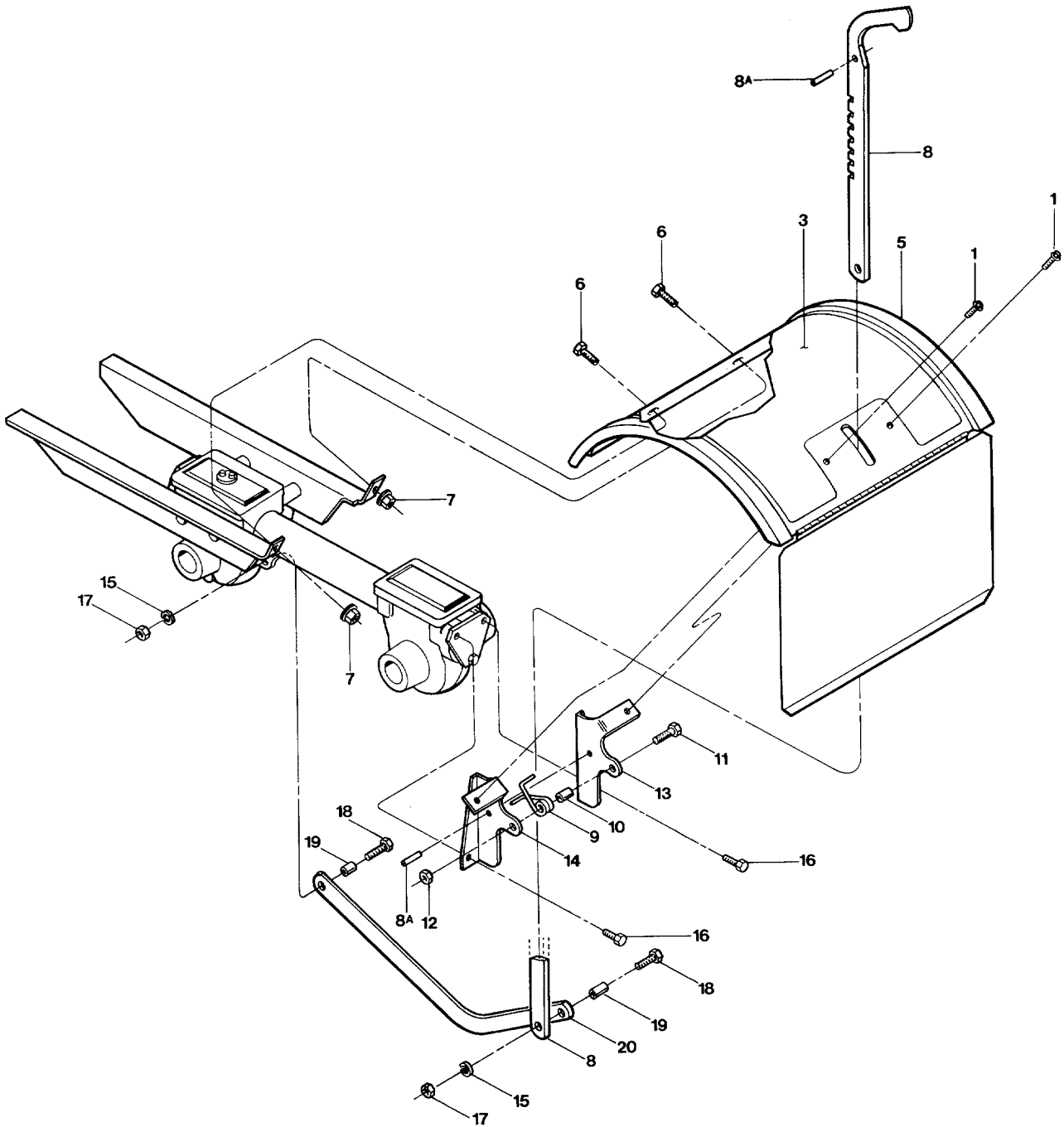
### HANDLEBARS, FORWARD CLUTCH CABLE, AND HANDLEBAR MOUNTING HARDWARE



## HANDLEBARS, FORWARD CLUTCH CABLE, AND HANDLEBAR MOUNTING HARDWARE

Index No.	Part No.	Description	No. Req'd
1	55104	HANDLEBAR, UPPER—(incl. Decal 55103) .....	1
2	55103	DECAL—Forward Clutch Bail .....	1
3	9854	BOLT—Curved Head, 5/16-18 x 1½" .....	6
4	9702	BOLT—Hex Head, ¼-20 x 1¼" .....	1
5	55044	BRACKET, CABLE .....	1
6	55046	BAIL—Forward Clutch .....	1
7	9855	SCREW—10-24 x 2" .....	1
8	55047	SPRING—Forward Clutch .....	1
9	9912	LOCKWASHER—5/16" .....	6
10	9801	NUT—Hex Head, 5/16-18 .....	6
11	9811	NUT—Hex Head, Lock, ¼-20 .....	1
12	55048	CABLE ASSEMBLY—Forward Clutch .....	1
13	9709	BOLT—Hex Head, ⅜-16 x ¾" .....	2
14	9837	LOCKNUT—Hex, ⅜-16 .....	2
15	9904	WASHER—Flat, ⅜ .....	2
16	9703	BOLT—Hex Head, 5/16-18 x ¾" .....	2
17	55081	SUPPORT, HANDLEBAR .....	2
18	9808	LOCKNUT—Hex, 5/16-18 .....	2
19	55082	HANDLEBAR, LOWER .....	1
20	9386	KLIPRING .....	1
21	9856	CLEVIS PIN .....	1
22	9552	SCREW—¼"-20 x ½" Self-Tapping Hex Head .....	4
23	1901273010	GRAPHICS PANEL .....	1
24	55097	DECAL—Troy-Bilt Tuffy (model name & logo) .....	1

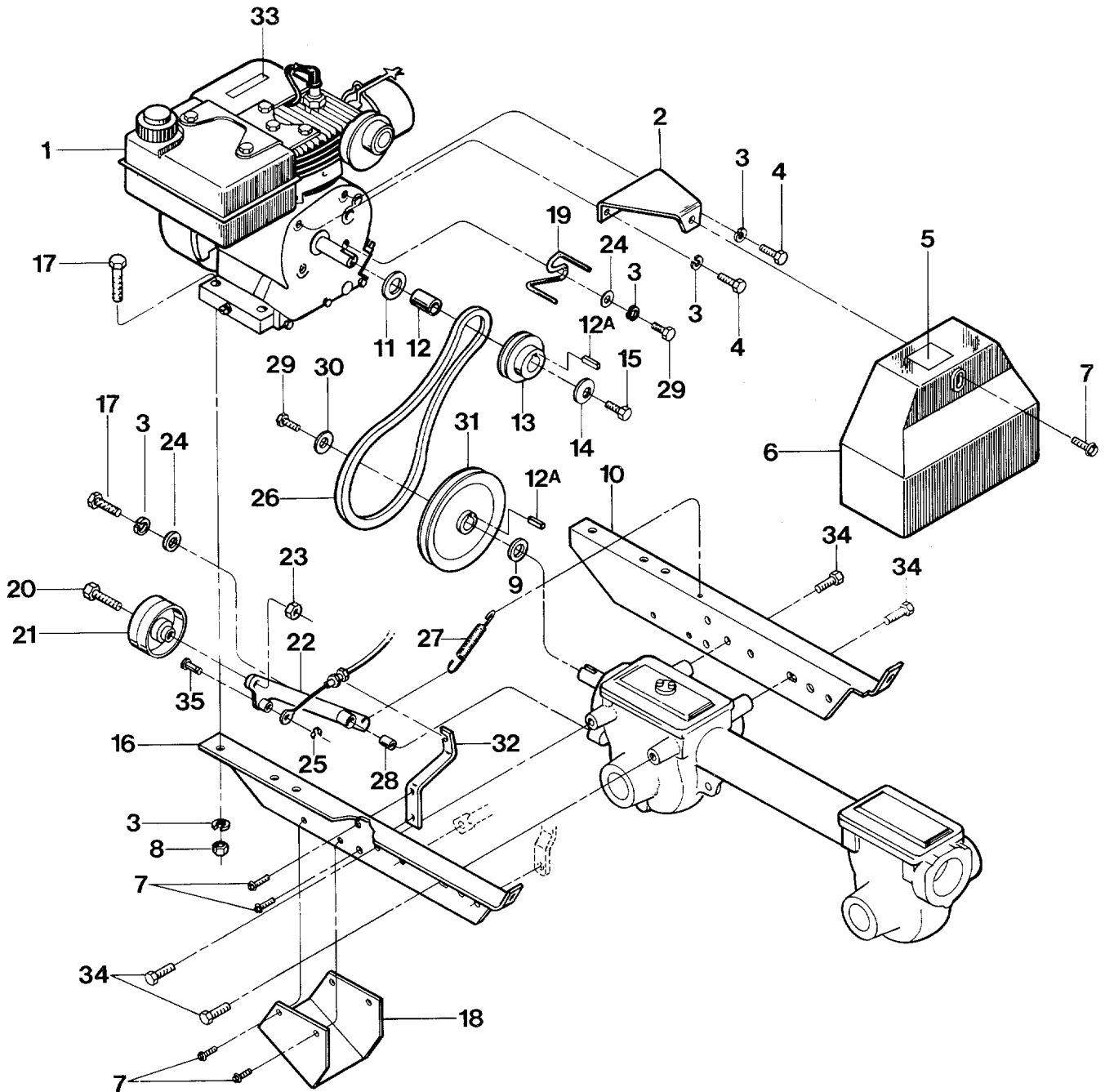
### TINE HOOD, DEPTH REGULATOR, AND DRAG BAR



**TINE HOOD, DEPTH REGULATOR, AND DRAG BAR**

<b>Index No.</b>	<b>Part No.</b>	<b>Description</b>	<b>No. Req'd</b>
1	9552	BOLT—Flanged Head, Self-Tapping, ¼-20 x ½" .....	2
2	-----	Index No. 2 is not used .....	
3	55101	DECAL—Hood (contains operating and safety instructions) .....	1
4	-----	Index No. 4 is not used .....	
5	55076	TINE HOOD —(includes tine flap and decal 55101) ...	1
6	9550	BOLT—Hex Head, 5/16-18 x ½" .....	2
7	9848	NUT—Flange Lock, 5/16-18 .....	2
8	55074	DEPTH REGULATOR LEVER .....	1
8A	9308	SPIROL PIN .....	2
9	9384	SPRING—Depth Regulator .....	1
10	9534	SPACER .....	1
11	9734	BOLT—Hex Head, ¼-20 X 1" .....	1
12	9811	LOCKNUT—Hex, ¼-20 .....	1
13	55072-2	BRACKET—Hood, Right Hand .....	1
14	55072-1	BRACKET—Hood, Left Hand .....	1
15	9912	LOCKWASHER, 5/16" .....	2
16	90045	BOLT—Flanged Head, 5/16-18 x 1" .....	2
17	9801	NUT—Hex, 5/16-18 .....	2
18	9574	BOLT—Hex Head, 5/16-18 x 1¼" .....	2
19	55088	BUSHING—Drag Bar .....	2
20	55073	DRAG BAR .....	1

# ENGINE, ENGINE BRACKETS, AND FORWARD DRIVE MECHANISM

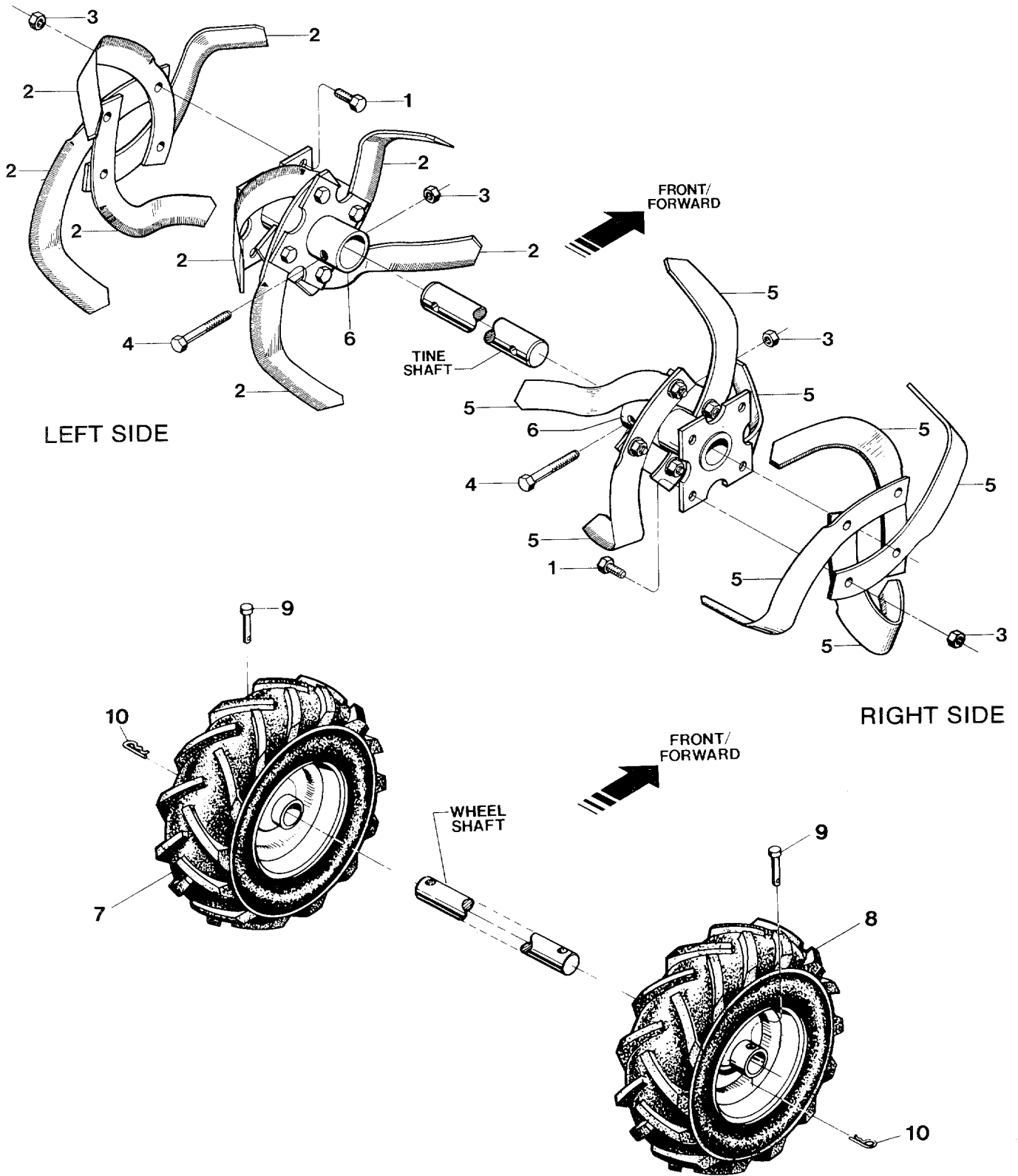




**ENGINE, ENGINE BRACKETS, AND FORWARD DRIVE MECHANISM**

<b>Index No.</b>	<b>Part No.</b>	<b>Description</b>	<b>No. Req'd</b>
1	1901261	ENGINE—Tecumseh, recoil start, electronic solid state ignition, 3 Horsepower; (Call Customer Service before placing order) .....	1
2	55079	BRACKET, BELT COVER .....	1
3	9912	LOCKWASHER—5/16.....	8
4	9563	BOLT—Hex Head, 5/16-24 x 1/2" .....	2
5	55053	DECAL—Warning, Hot Surfaces .....	1
6	55086	BELT COVER—(includes decal 55053) .....	1
7	9552	BOLT—Flanged Head, Self-Tapping, 1/4-20 x 1/2" .....	7
8	9801	NUT—Hex, 5/16-18 .....	4
9	50027	SUPPORT WASHER .....	1
10	55077-2	BRACKET, ENGINE, RIGHT .....	1
11	1138-2	SHIM .....	A/R
12	55036	SPACER .....	1
12A	9301	KEY—3/16" x 1" .....	2
13	55035	PULLEY, ENGINE DRIVEN .....	1
14	9925	WASHER, BELLEVILLE .....	1
15	9549	BOLT—Hex Head, 3/8-24 x 1" .....	1
16	55077-1	BRACKET, ENGINE, LEFT .....	1
17	9758	BOLT—Hex Head, 5/16-18 x 1 1/2" .....	5
18	55080	BELT PULLEY GUARD .....	1
19	55039	BELT GUIDE .....	1
20	9558	BOLT—Hex Head, 3/8-16 x 1 1/2" .....	1
21	9090	IDLER PULLEY .....	1
22	55078	IDLER LEVER .....	1
23	9807	LOCKNUT—3/8-16 .....	1
24	9902	WASHER, FLAT .....	2
25	9386	KLIPRING .....	1
26	55037	V-BELT .....	1
27	55034	SPRING, RETURN .....	1
28	55033	BUSHING—Idler Lever .....	1
29	9655	BOLT—Hex Head, 5/16-24 x 3/4", Grade 5 .....	2
30	9944	WASHER—Belleville, Transmission Pulley .....	1
31	55031	PULLEY—Transmission .....	1
32	55084	BRACKET—Cable Mount .....	1
33	1900766	DECAL—Stabilization .....	1
34	90038	BOLT—5/16-18 x 5/8", Engine Bracket to Transmission ..	4
35	9856	CLEVIS PIN—Control Cable .....	1

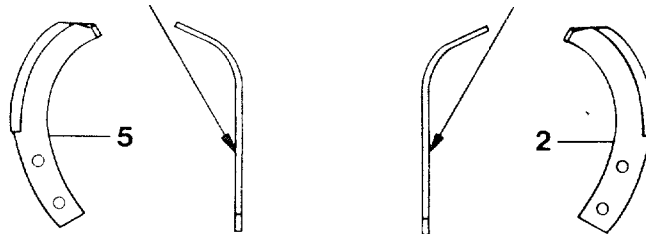
### BOLO TINES, WHEELS



### BOLO TINES, WHEELS

Index No.	Part No.	Description	No. Req'd
1	9711	BOLT—Hex Head, 3/8-16 x 1", Grade 5, Tine Mounting ..	16
2	50049-01	BOLO TINE—Single, RIGHT HAND tine used on left side of tiller. Includes mounting hardware: two #9711 bolts (Index No. 1), two #9913 lockwashers and two 9802 hex nuts (these last two items replace Index No. 3) .....	8
3	9807	LOCKNUT—Hex, 3/8-16 .....	18
4	9555	BOLT—Hex Head, 3/8-16 x 1 3/4" (tine holder to tiller shaft) .....	2
5	50049-02	BOLO TINE—Single, LEFT HAND tine used on right side of tiller. Includes mounting hardware: two #9711 bolts (Index No. 1), two #9913 lockwashers and two #9802 hex nuts (these last two items replace Index No. 3) .....	8
6	55019	TINE HOLDER—for bolo tines, left and right sides .....	2
	1901	REPLACEMENT SET OF 16 BOLO TINES—including eight right hand tines, eight left hand tines; and all required assembly hardware .....	1

BLUNT END TOWARDS YOU



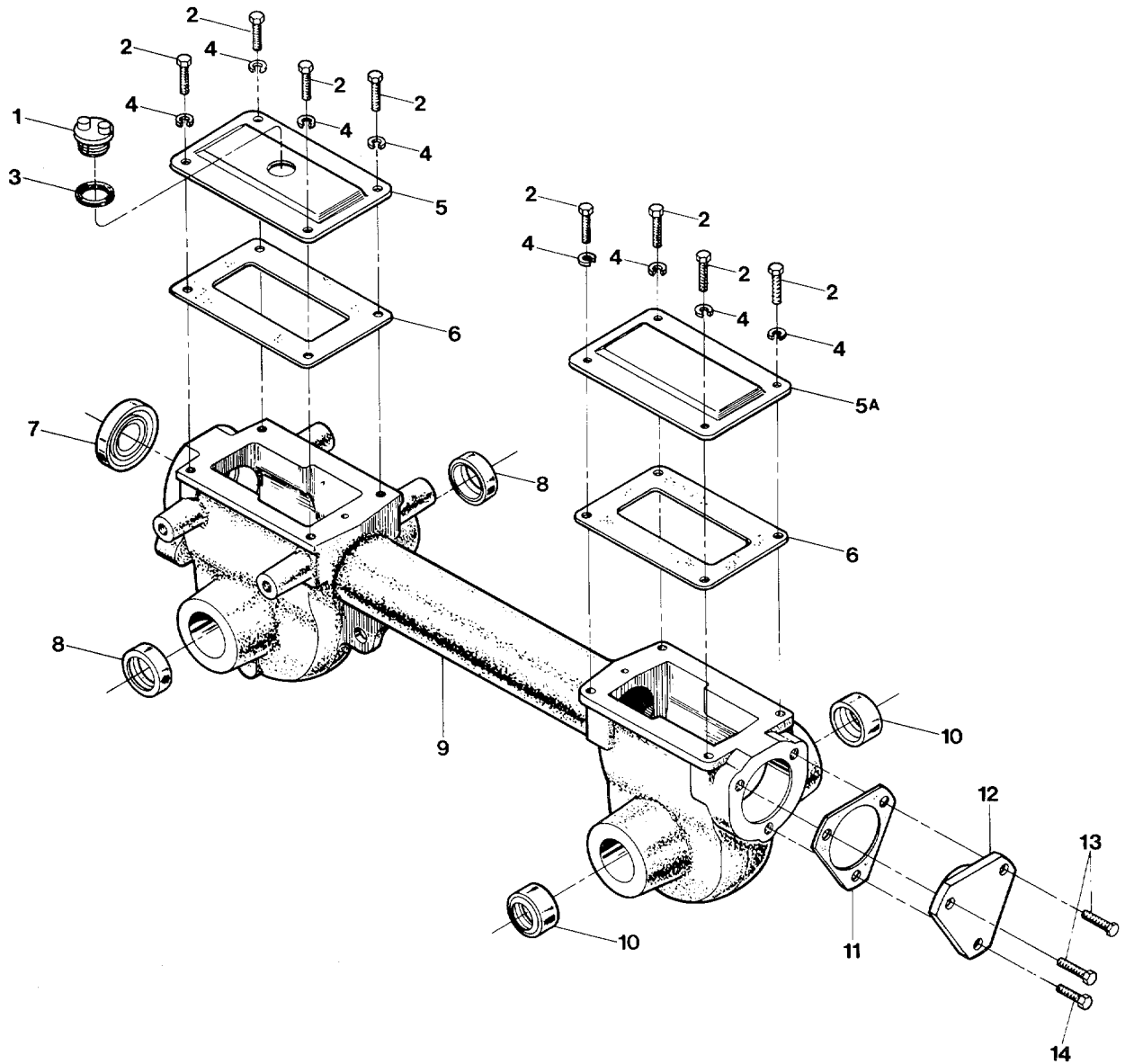
LEFT HAND TINE

RIGHT HAND TINE

7	55095-01	WHEEL & TIRE ASSEMBLY—Left side .....	1
8	55095-02	WHEEL & TIRE ASSEMBLY—Right side .....	1
9	9380	CLEVIS PIN—.312" x 1 3/4", secures wheel hub to wheel shaft .....	2
10	9338	HAIR PIN COTTER .....	2

**IMPORTANT:** Left and right sides of tiller are determined by standing in the operator position and facing the direction of forward travel.

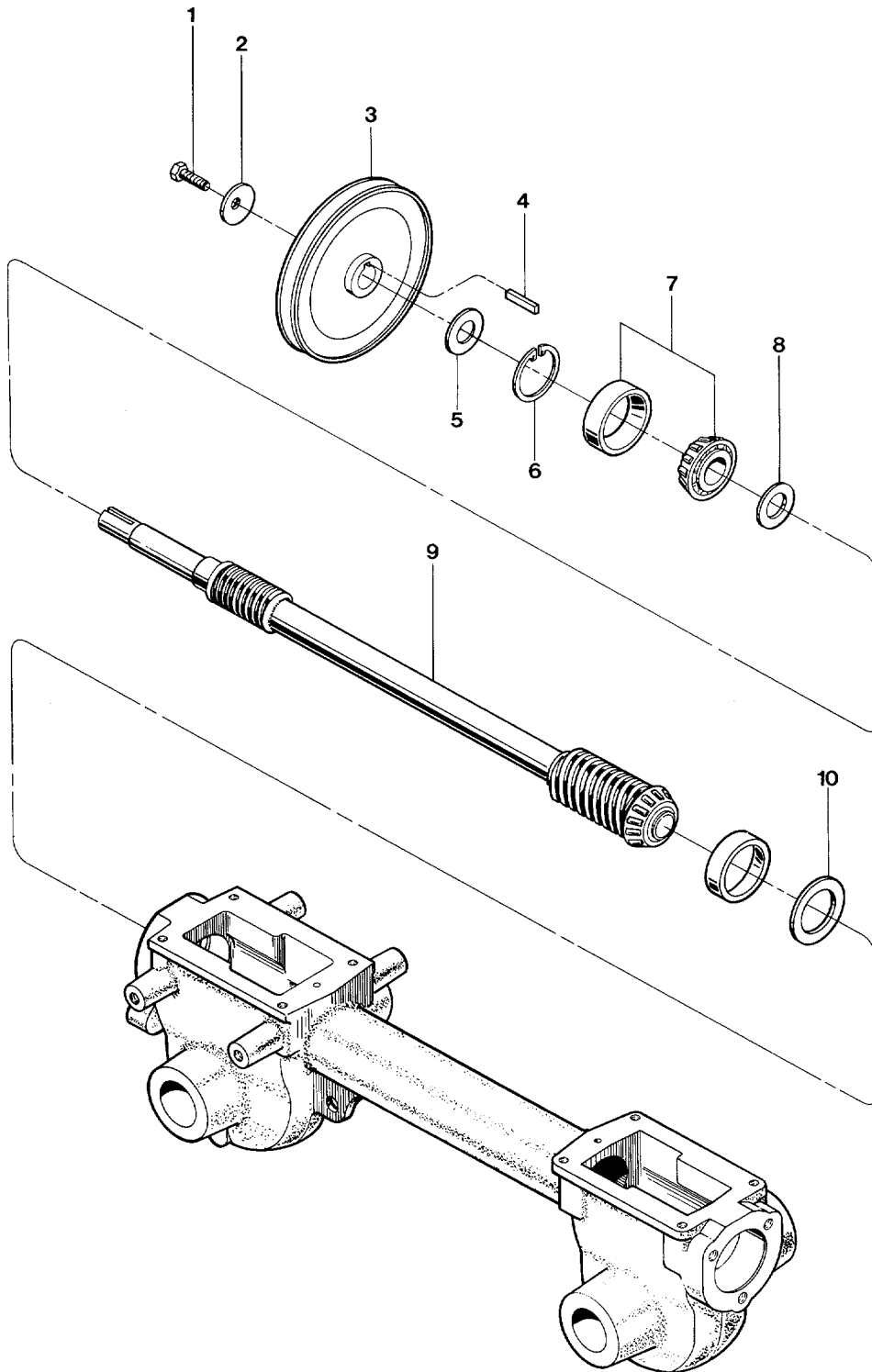
### TRANSMISSION HOUSING, COVERS, SEALS, GASKETS, AND PLUG



## TRANSMISSION HOUSING, COVERS, SEALS GASKETS, AND PLUG

Index No.	Part No.	Description	No. Req'd
1	9467	PLUG—Transmission Oil Fill/Check .....	1
2	9550	BOLT—Hex Head, 5/16-18 x ½" .....	8
3	97037	GASKET—Transmission Oil Fill/Check Plug .....	1
4	9912	LOCKWASHER—5/16" .....	8
5	55008	COVER—Transmission Housing, Front .....	1
5A	50074	COVER—Transmission Housing, Rear .....	1
6	50032	GASKET—Transmission Housing Cover, (Front and Rear) .....	2
7	9617	OIL SEAL—Driveshaft .....	1
8	9621	OIL SEAL—Wheelshaft .....	2
9	55000	TRANSMISSION CASE, REAR HOUSING, AND TUBE ASSEMBLY .....	1
10	97039	OIL SEAL—Tine Shaft .....	2
11	55011-1	GASKET—Bearing Cap (.010 thick) .....	1
	55011-2	GASKET—Bearing Cap (.030 thick) .....	1
12	55010	CAP—Rear Bearing .....	1
13	90045	BOLT—Flanged Head, 5/16-18 x 1" .....	2
14	90044	BOLT—Flanged Head, 5/16-18 x ¾" .....	1

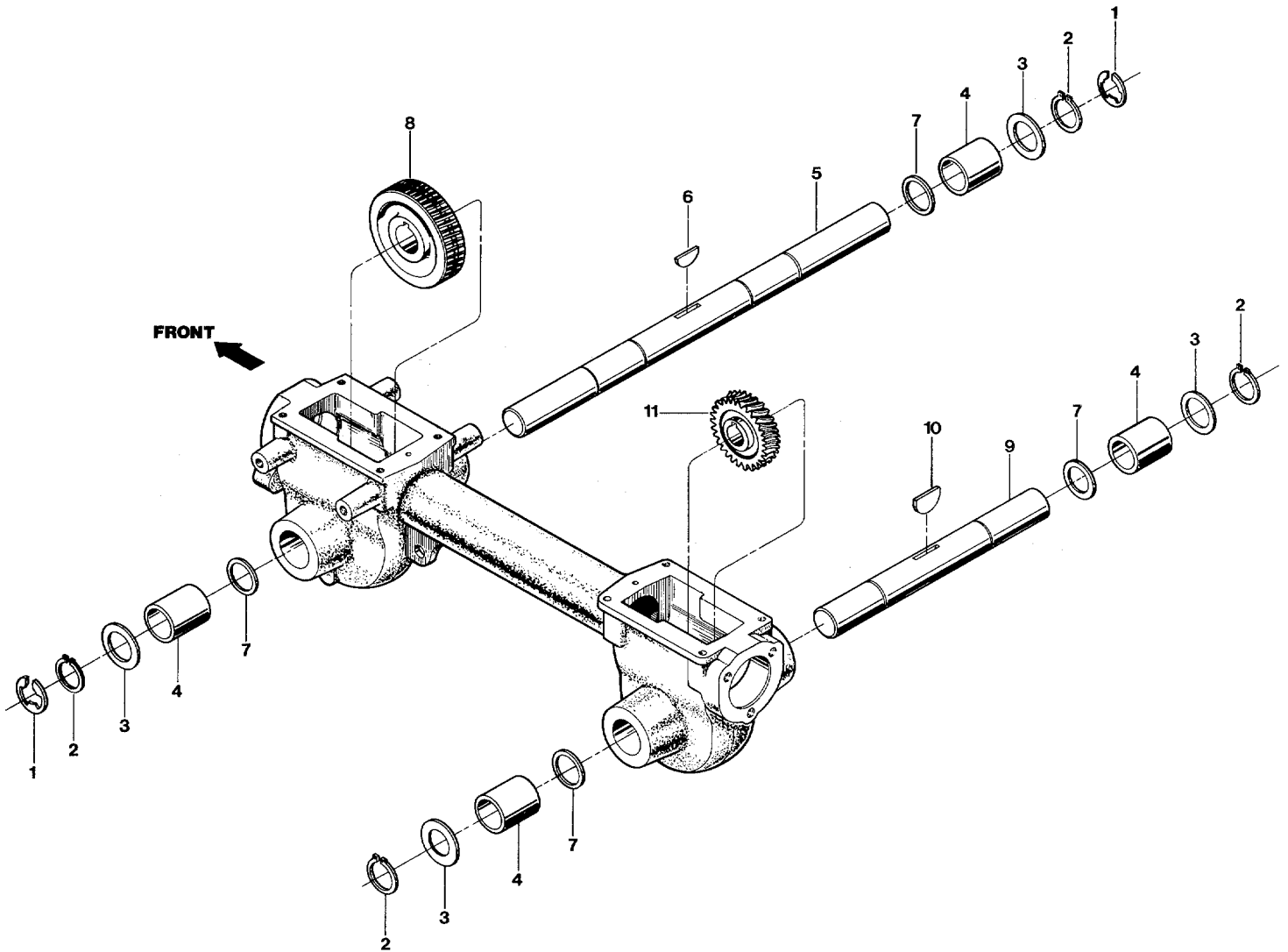
### DRIVE SHAFT ASSEMBLY



**DRIVE SHAFT ASSEMBLY**

<b>Index No.</b>	<b>Part No.</b>	<b>Description</b>	<b>No. Req'd</b>
1	9655	BOLT—Hex Head, 5/16-24 x 3/4", Grade 5 .....	1
2	9944	WASHER—Belleville .....	1
3	55031	PULLEY—Transmission .....	1
4	9301	KEY—Transmission Pulley, 3/16" x 1" .....	1
5	50027	SUPPORT WASHER—Front .....	1
6	9517	SNAP RING .....	1
7	1714	BEARING—Tapered Roller with race .....	2
8	50043	SUPPORT WASHER—Rear .....	1
9	55001	DRIVESHAFT ASSEMBLY .....	1
10	1224-1	SHIM—Rear Bearing Cap, .010 thick .....	As Req'd
	1224-2	SHIM—Same as above except 0.030 thick .....	As Req'd
	1224-3	SHIM—Same as above except 0.005 thick .....	As Req'd
	1224-4	SHIM—Same as above except 0.062 thick .....	As Req'd
	1325C	SHIM SET—Includes the following shims: two #1224-1, two #1224-2, one 1224-3, and one #1224-4 .....	As Req'd

### WHEEL SHAFT & TILLER SHAFT ASSEMBLIES



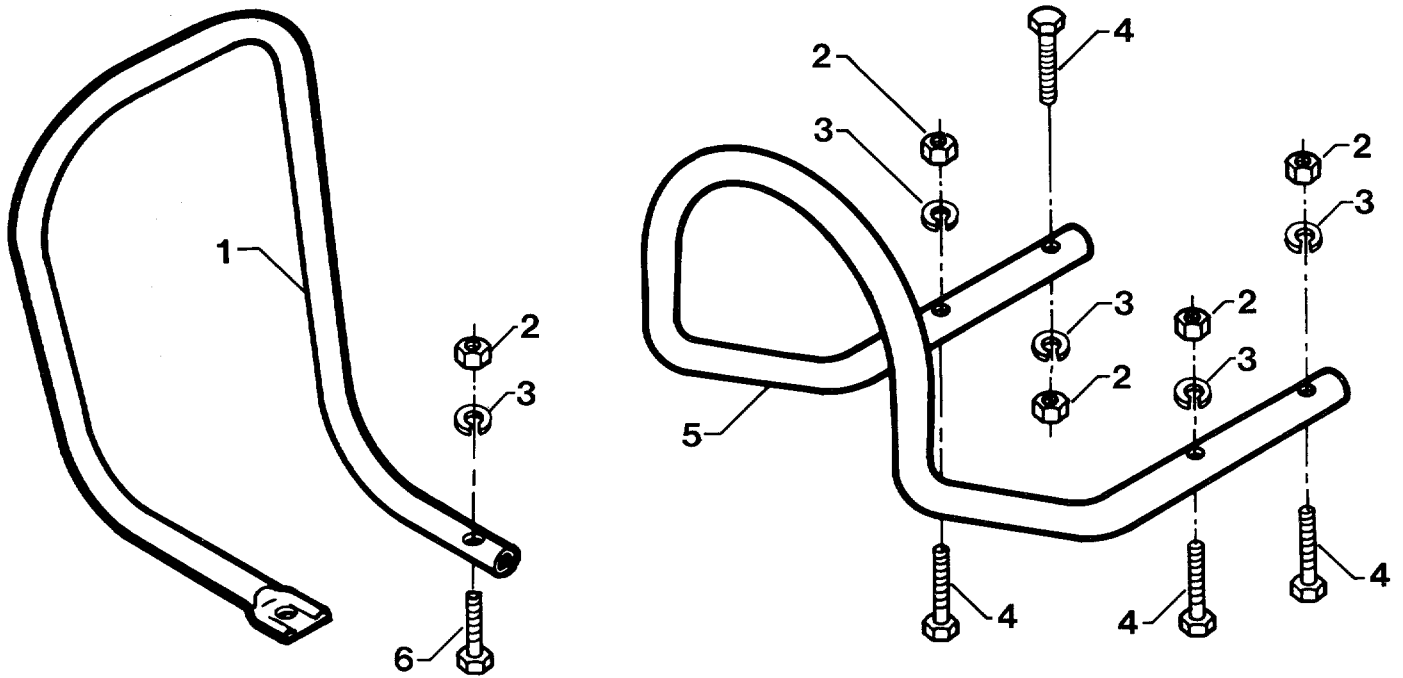


**WHEEL SHAFT & TILLER SHAFT ASSEMBLIES**

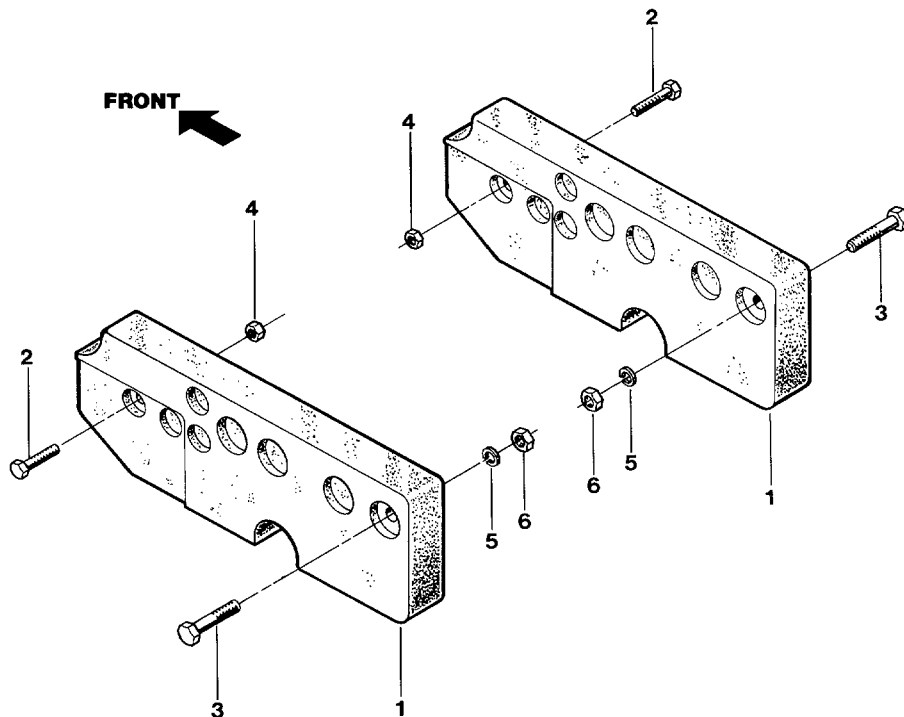
<b>Index No.</b>	<b>Part No.</b>	<b>Description</b>	<b>No. Req'd</b>
1	9512	RETAINER—Snap Ring, "E" Type .....	2
2	9511	RETAINER—Snap Ring .....	4
3	1166-1	SHIM—0.062" Thick .....	As Req'd
	1166-2	SHIM—0.030" Thick .....	As Req'd
	1166-3	SHIM—0.015 Thick .....	As Req'd
	1166-4	SHIM—0.010" Thick .....	As Req'd
	1166-5	SHIM—0.005" Thick .....	As Req'd
4	1086	BUSHING—Bronze .....	4
5	55004	WHEEL SHAFT .....	1
6	9305	KEY-Wheel Shaft, Hi Pro, ¼" x 1" .....	1
7	1132-2	SPACER .....	4
8	50041	WORM GEAR—Wheel Shaft .....	1
9	55006	TILLER SHAFT .....	1
10	1104	WOODRUFF KEY—Tiller Shaft .....	1
11	50042	WORM GEAR—Tiller Shaft .....	1

### ACCESSORIES

#### BUMPER & CARBURETOR GUARD ATTACHMENT (Part No. 11045) (Viewed from front of tiller)



#### FRAME WEIGHT KIT (Part No. 55067)



## ACCESSORIES

### BUMPER & CARBURETOR GUARD ATTACHMENT (Part No. 11045)

Index No.	Part No.	Description	No. Req'd
1	50195	CARBURETOR GUARD .....	1
2	9801	NUT—Hex Head, 5/16-18 .....	5
3	9912	LOCKWASHER—5/16" .....	5
4	9557	BOLT—Hex Head, 5/16-18 x 2½" .....	4
5	50215	BUMPER .....	1
6	9758	BOLT—Hex Head, 5/16-18 x 1½" .....	1

### FRAME WEIGHT KIT (Part No. 55067)

Index No.	Part No.	Description	No. Req'd
1	55066	FRAME WEIGHT .....	2
2	9702	BOLT—Hex Head, ¼-20 x 1¼ .....	2
3	9758	BOLT—Hex head, 5/16-18 x 1½" .....	2
4	9800	NUT—¼"-20 .....	2
5	9912	LOCKWASHER—5/16" .....	2
6	9801	NUT—5/16"-18 .....	2



**TROY-BILT MANUFACTURING CO.,** 102nd Street & 9th Ave., Troy, New York 12180  
For Technical Service, call Toll-Free: 1-800-833-6990 — For Parts, call Toll-Free: 1-800-648-6776

**GARDEN WAY BRANCH CANADA,** 1515 Matheson Blvd. E., Unit B11, Mississauga, Ontario L4W 2P5  
Call Toll-Free: 1-800-225-3585